

ELEVATION [D02]
Scale: 1:20

DOOR LEAF [D02]
Scale: 1:20

SEC [D02]
Scale: 1:20

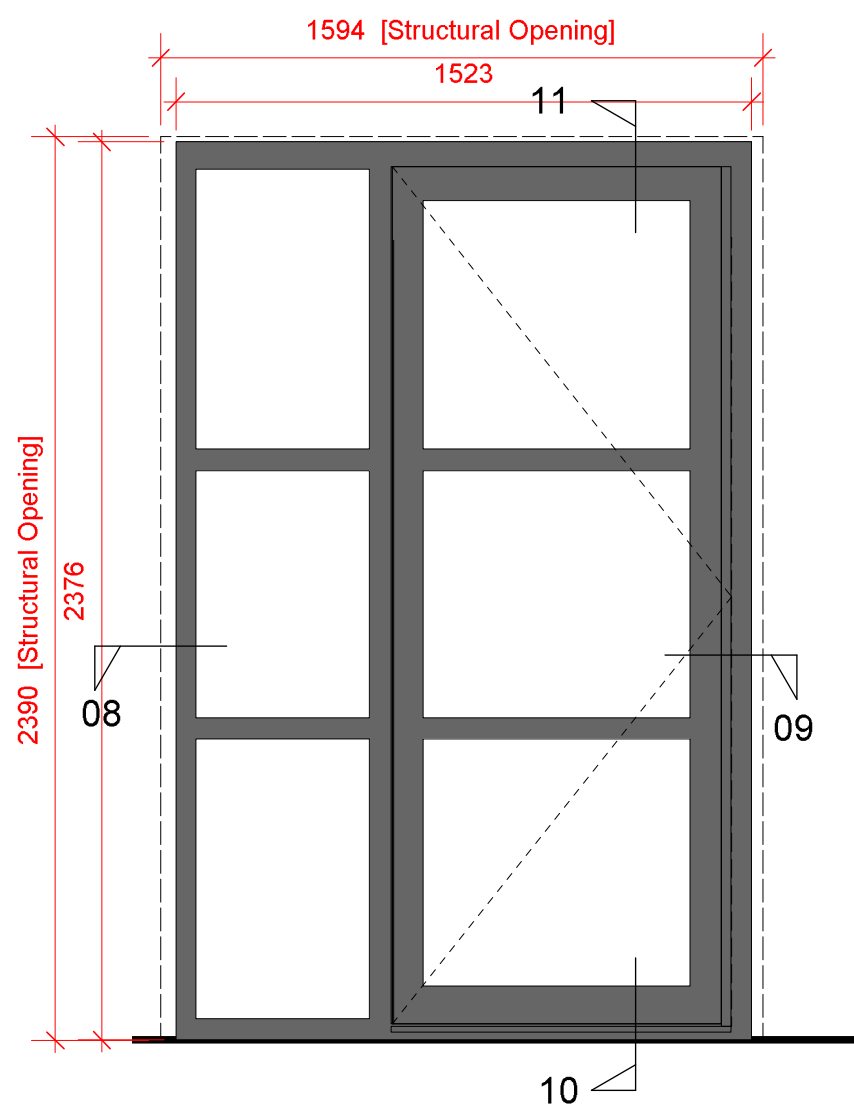
ELEVATION [D03 & D04]
Scale: 1:20

DOOR LEAF [D03 & D04]
Scale: 1:20

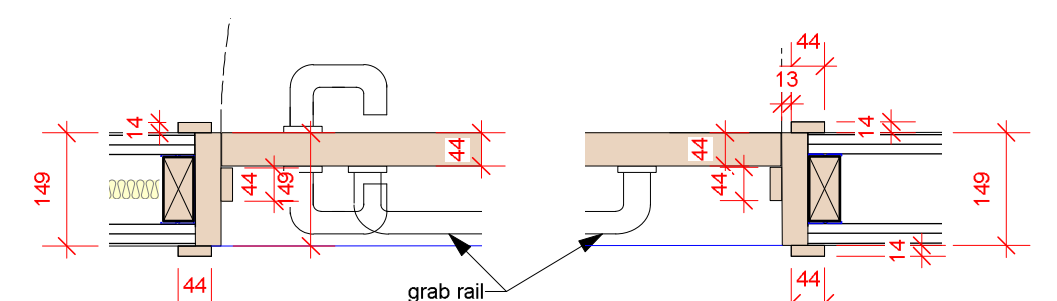
SEC [D03&04]
Scale: 1:20

ELEVATION [D05]
Scale: 1:20

DOOR LEAF [D05]
Scale: 1:20

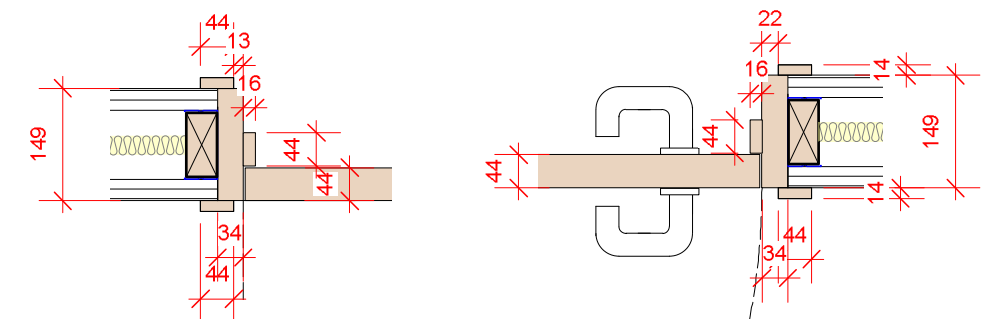


[D01 ELEVATION]
Scale: 1:20



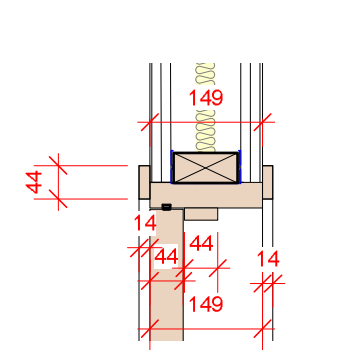
[DETAIL 01]
Scale: 1:10

[DETAIL 02]
Scale: 1:10

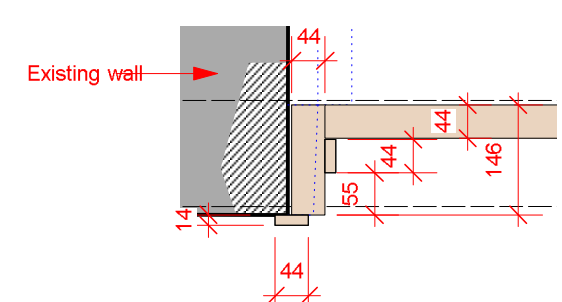


[DETAIL 04]
Scale: 1:10

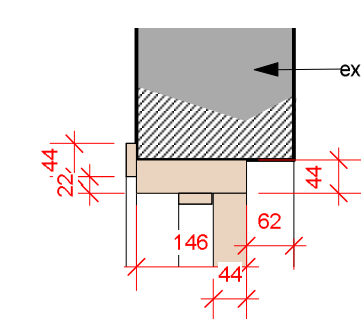
[DETAIL 05]
Scale: 1:10



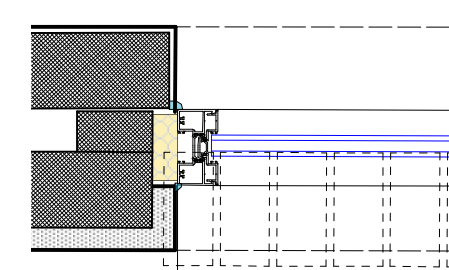
[DETAIL 06]
Scale: 1:10



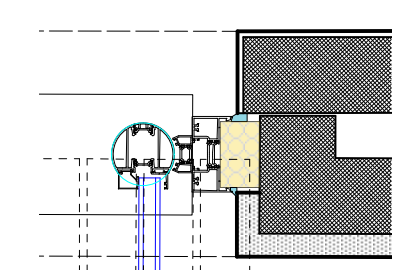
[DETAIL 07]
Scale: 1:10



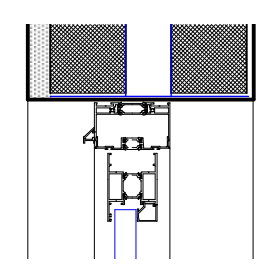
[DETAIL 08]
Scale: 1:10



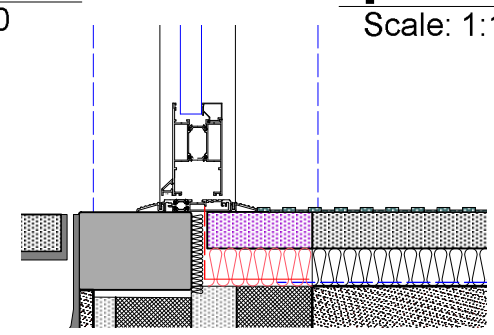
[DETAIL 09]
Scale: 1:10



[DETAIL 10]
Scale: 1:10



[DETAIL 11]
Scale: 1:10



[DETAIL 10]
Scale: 1:10

General external Door and Window Notes

External Doors and Windows : Polyester Powder coated aluminium framed double glazed units
 All doors and window RAL7015 slate grey with 120-70-75 lime green accent finish
 Gap around the door to be in accordance with the the recommendations set out in BS8213-4
 A seal is required around frames to provide effective weatherproofing and airtightness.
 Glazing to be as recommended by the Manufacturer

revision no.	date	details	initials
--------------	------	---------	----------



project
**PAIGNTON ACADEMY
 NEW STEPS ENHANCED
 PROVISION -
 BLOCK D**

**PROPOSED DOOR
 SCHEDULE**

drawing number
3994.BR.D.ASc.01

revision
A2

scale
1:20/10

date
Jan 2024

drawn
JLC

checked

Door Number & Location	Performance		Structural Opening		Door Details													Vision Panel / Glazing					Ironmongery							FSC CoC	Notes					
	Fire Performance	Acoustic Performance	Structural Opening Width	Nominal Structural Opening Height	Frame Sectional Width	Undercut	Frame Type / Design	Frame Material	Frame Finish	Architrave Material	Architrave Dimensions	Door Width Primary	Door Height	Door Thickness	Pull Face (Hinge Face / A) Facing Material	Push Face (Stop Face / B) Facing Material	Lipping Material	Lipping Finish	Finish	Vision Panel Type	One or Both Leaves	Vision Panel Width	Vision Panel Height	Glass Type	Bead Type	Bead Fixing	Supply / Fit : Hinge / Pivot Type	Supply / Fit : Bottom of Door Seal	Supply / Fit : Lock			Supply / Fit : room side thumb turn	Supply / Fit : Face Fixed Closer	Supply / Fit : Push Plate	Supply / Fit : Pull Handle	Supply / Fit : Kick Plate 2x per leaf
D02	w.c		994	2087	149	10	Solid Plain Lining	Hardwood	Primed	Softwood	44x15	926	2043	44	Formica F1093Aries matte 58	Formica F1093Aries matte 58	American White Ash	Stained	Laminate	ISLN	One	200	1450	Clear	Bolection	Pinned	Butt Hinge	Yes	Yes	Yes	Yes	No	No	Yes	Yes	
D03/04	New classroom	FD30 SC 35db	994	2087	149	10	Solid Plain Lining	Hardwood	Primed	Softwood	44x15	926	2043	44	Formica F1093Aries matte 58	Formica F1093Aries matte 58	American White Ash	Stained	Laminate	ISLN	One	200	1450	Clear	Bolection	Pinned	Butt Hinge	Yes	Yes	Yes	Yes	No	No	Yes	Yes	
D05	Entrance		1720 TBC	2087 TBC	146	10	Solid Plain Lining	Hardwood	Primed	Softwood	44x15	2x814	2043 TBC	44	Formica F1093Aries matte 58	Formica F1093Aries matte 58	American White Ash	Stained	Laminate	ISLN	Two	200	1450	Clear	Bolection	Pinned	Butt Hinge	Yes	Yes	Yes	Yes	No	No	Yes	Yes	Double leaf



MTA Chartered Architects Ltd. tel: 01803 851010
 52 Fore Street Brixham Devon TQ58DZ 01803 854807

e-mail: enquiries@mtaarchitects.co.uk
 web: www.mtaarchitects.co.uk

This drawing is the Copyright of MTA Chartered Architects Ltd