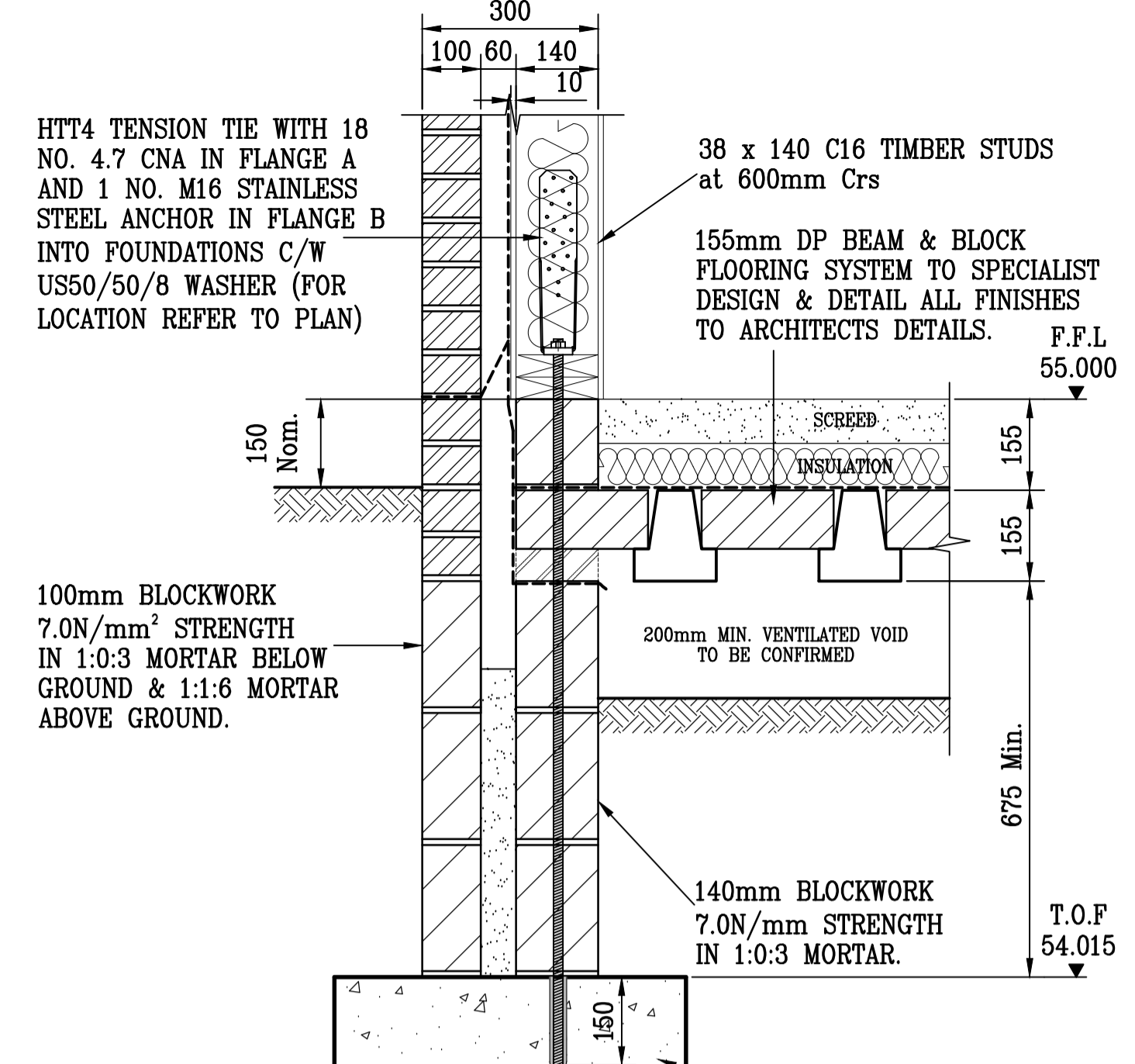
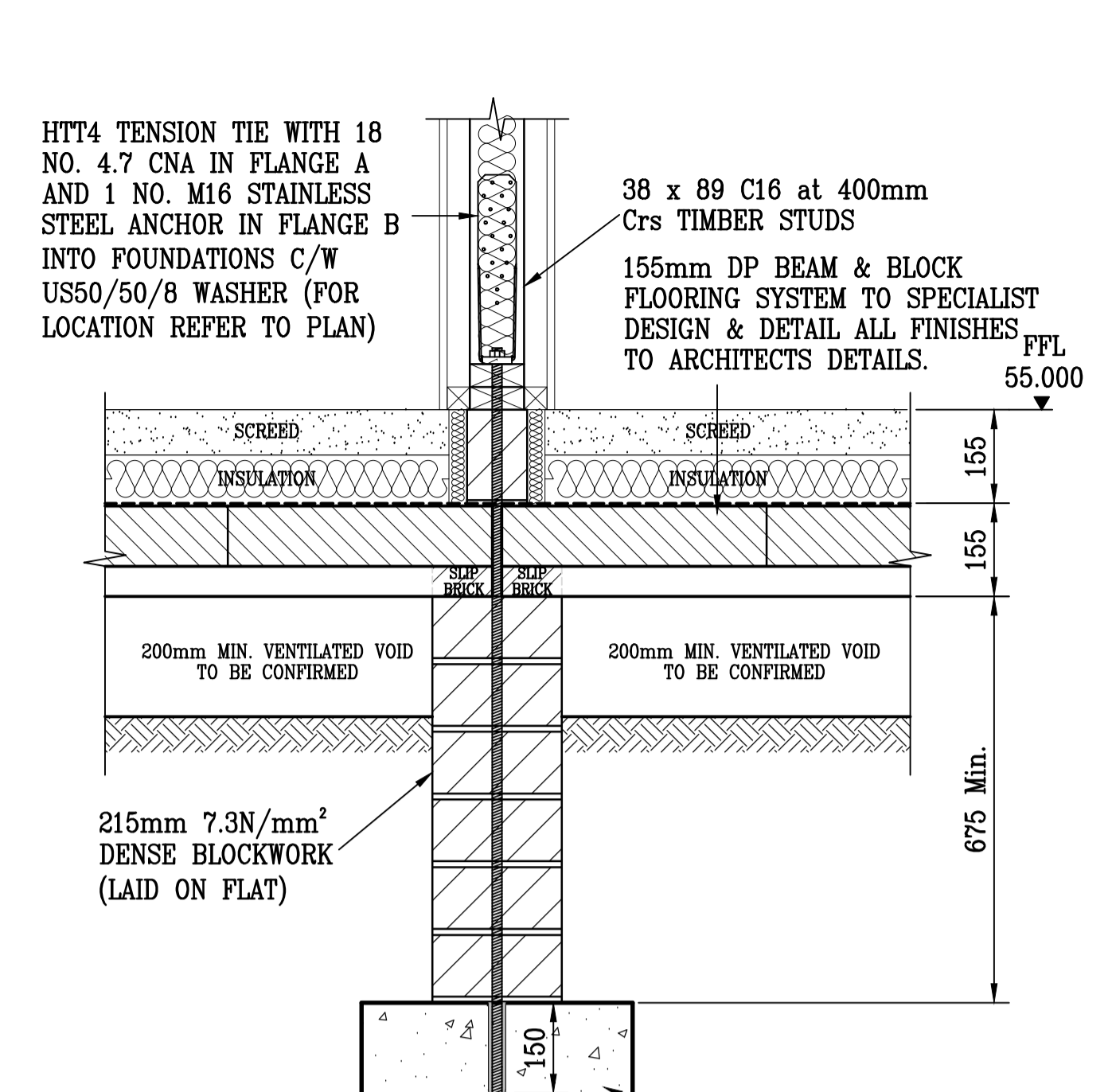


SECTION J-01  
SCALE 1:10



TYPICAL TENSION TIE DETAIL (EXTERNAL WALL)  
1:10



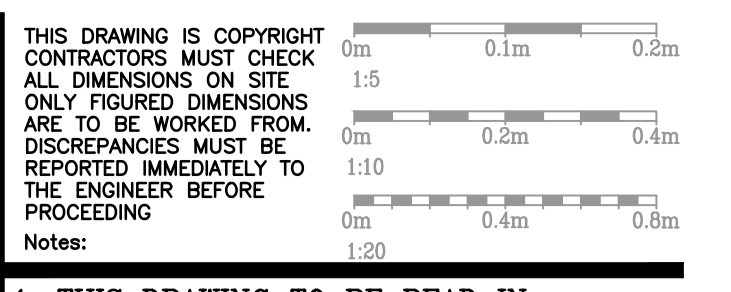
TYPICAL TENSION TIE DETAIL (INTERNAL WALL)  
1:10

FOR ALL SETTING OUT DIMENSIONS AND ALL SERVICE LOCATIONS THROUGH FLOOR REFER TO ARCHITECTS DRAWINGS.

MAXIMUM UNIT WEIGHT OF ALL BLOCKWORK NOT TO EXCEED 20Kg

NOTE: FOR SECTION LOCATIONS REFER TO DRAWING No. 3926/01.

ALL BLOCKWORK TO BE 7.3N/mm² IN:-  
1:0:3 MORTAR BELOW GROUND LEVEL  
1:1:6 MORTAR ABOVE GROUND LEVEL

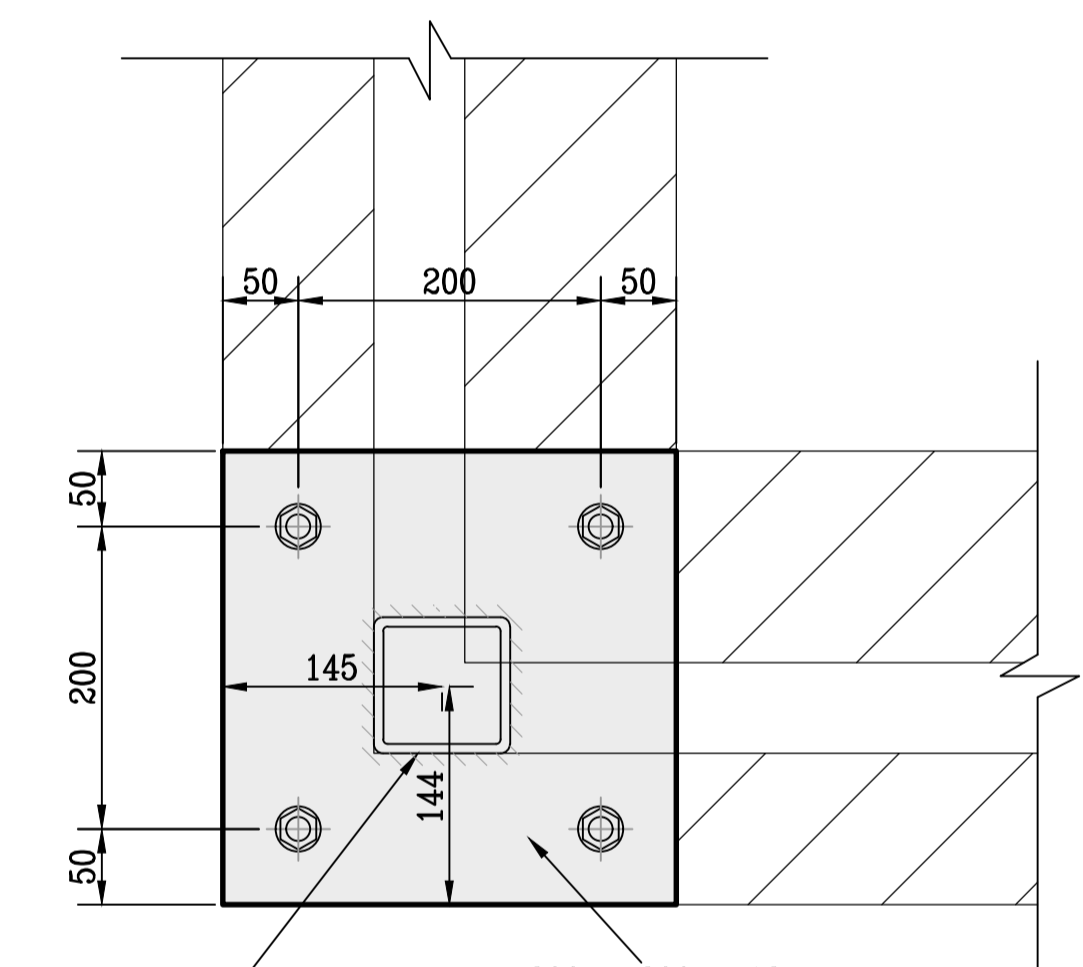


THIS DRAWING IS COPYRIGHT TDA. CONTRACTORS MUST CHECK ALL DIMENSIONS ON SITE. ONLY FIGURED DIMENSIONS ARE TO BE WORKED FROM. DISCREPANCIES MUST BE REPORTED IMMEDIATELY TO THE ENGINEER BEFORE PROCEEDING.

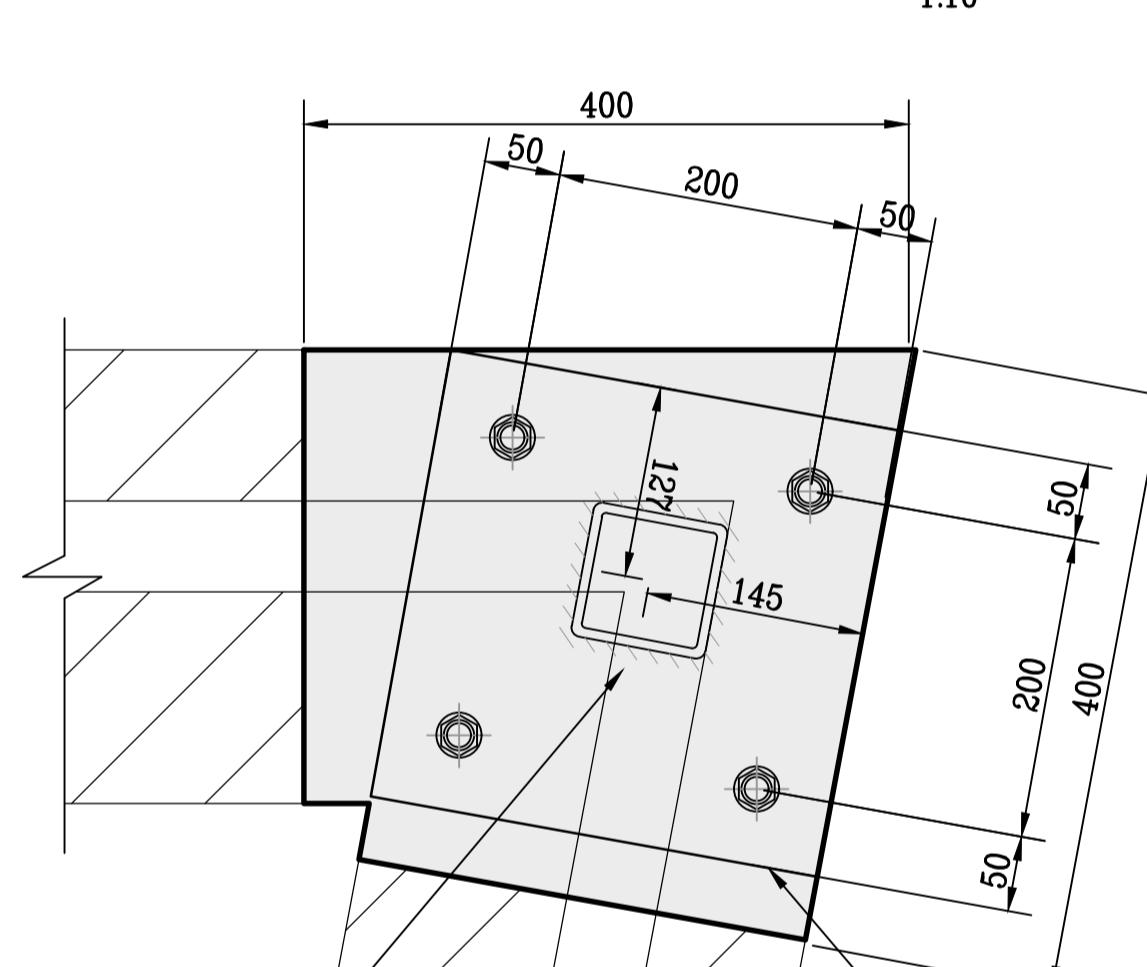
1. THIS DRAWING TO BE READ IN CONJUNCTION WITH ALL RELEVANT ARCHITECTS AND ENGINEERS DRAWINGS.

2. ALL DIMENSIONS AND LEVELS TO BE CHECKED BY CONTRACTOR PRIOR TO COMMENCEMENT OF WORKS.

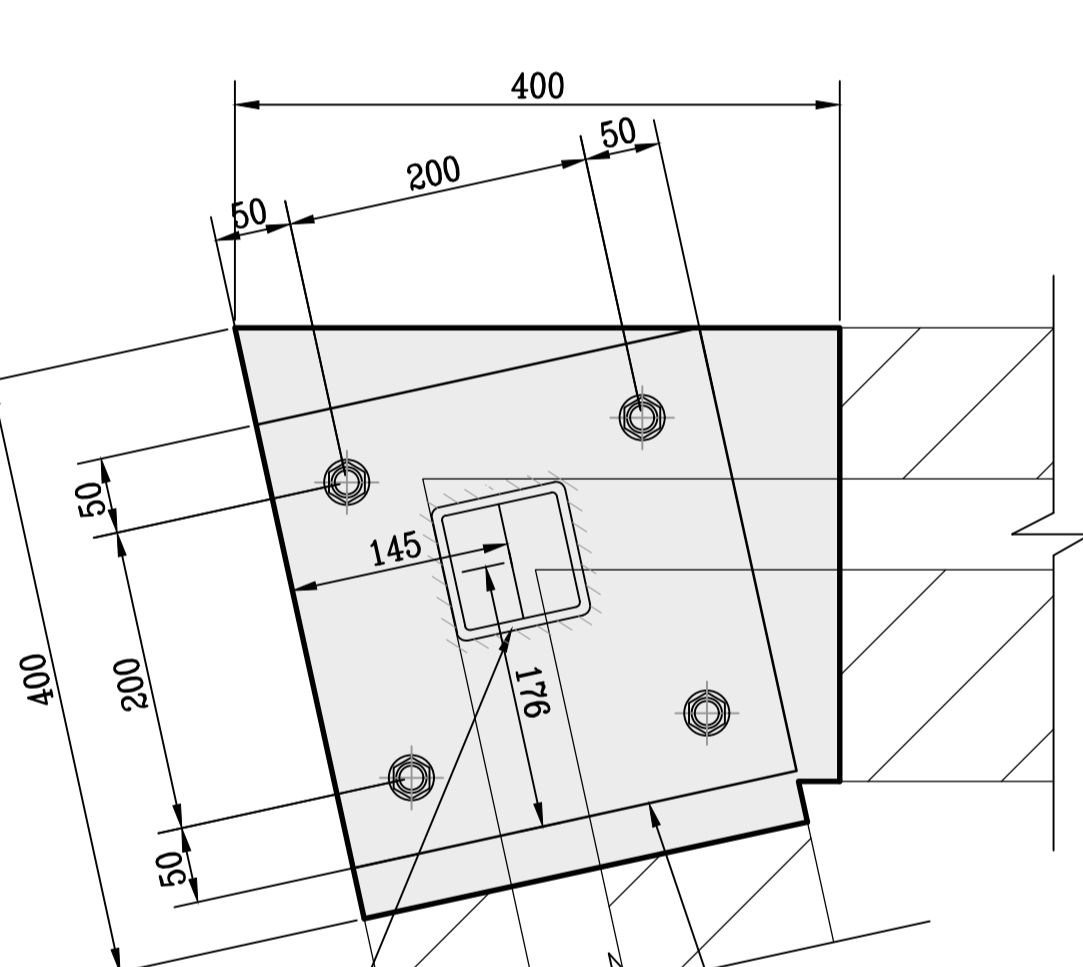
3. ALL CONCRETE WORKS TO COMPLY WITH BS EN 1992: EUROCODE 2: DESIGN OF CONCRETE STRUCTURES.



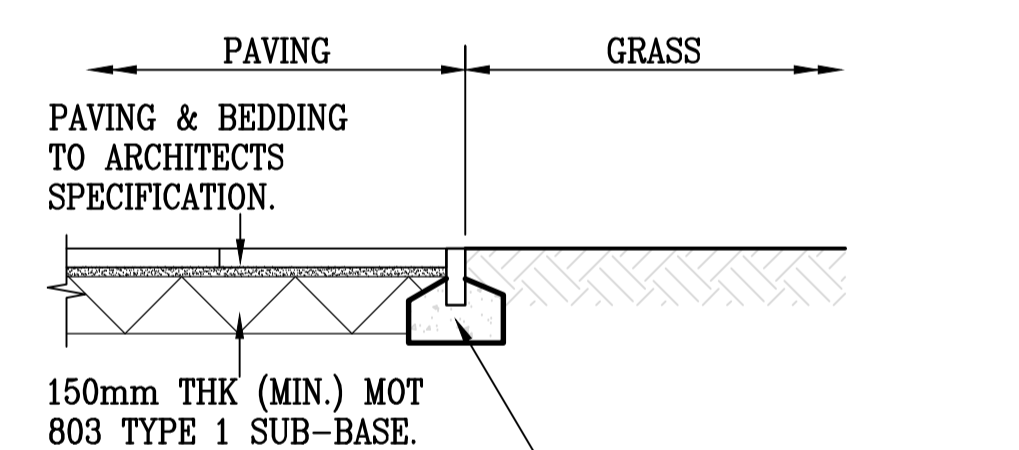
BASEPLATE DETAIL - TYPE 1  
SCALE 1:5



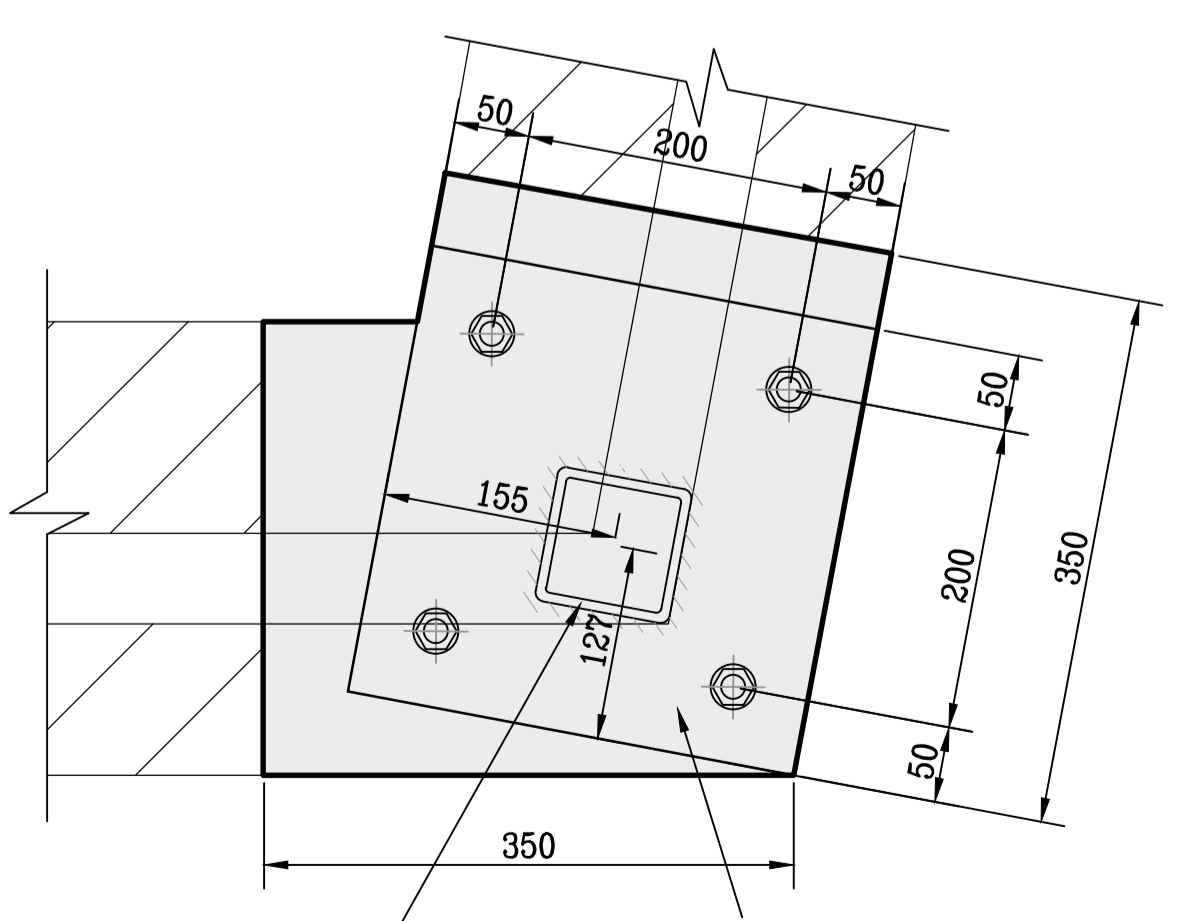
BASEPLATE DETAIL - TYPE 2  
SCALE 1:5



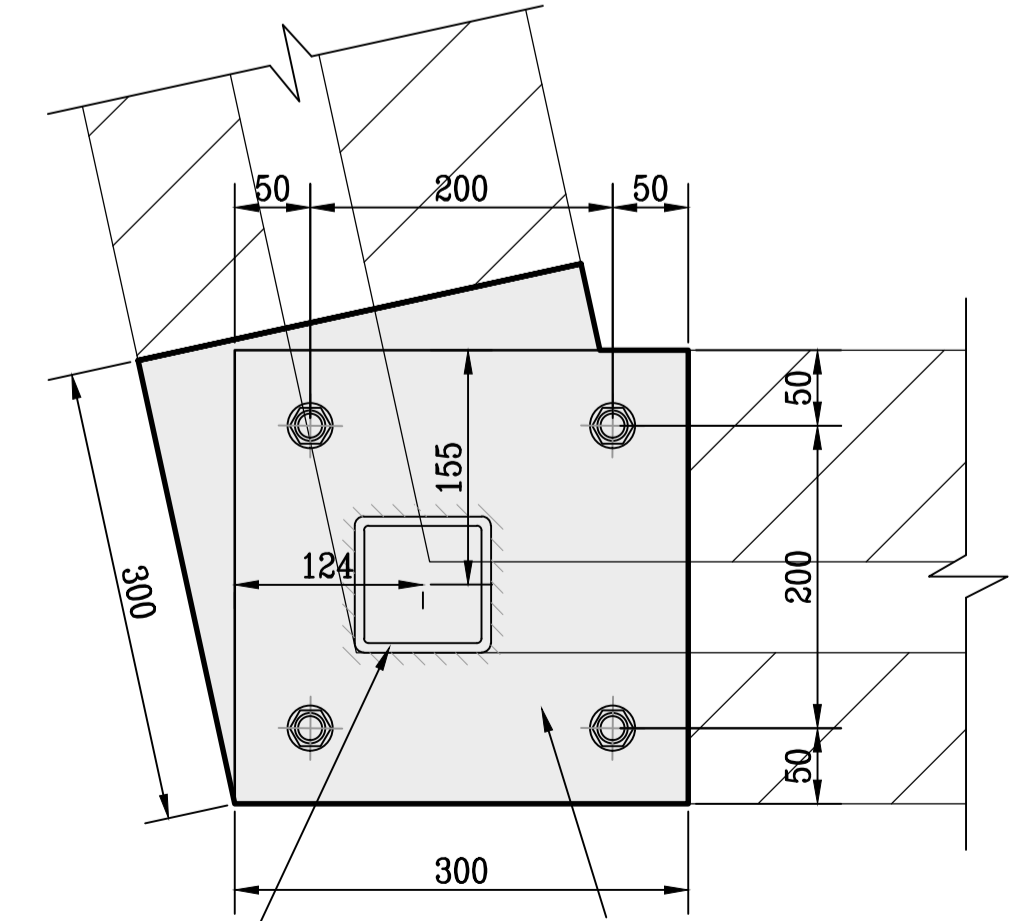
BASEPLATE DETAIL - TYPE 3  
SCALE 1:5



TYPICAL PAVING DETAIL  
1:20

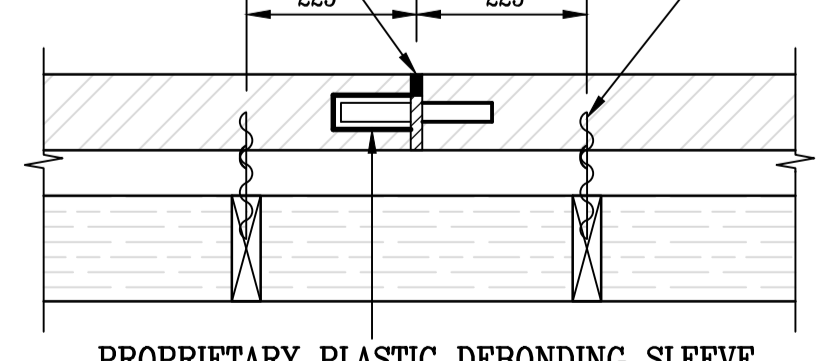


BASEPLATE DETAIL - TYPE 4  
SCALE 1:5

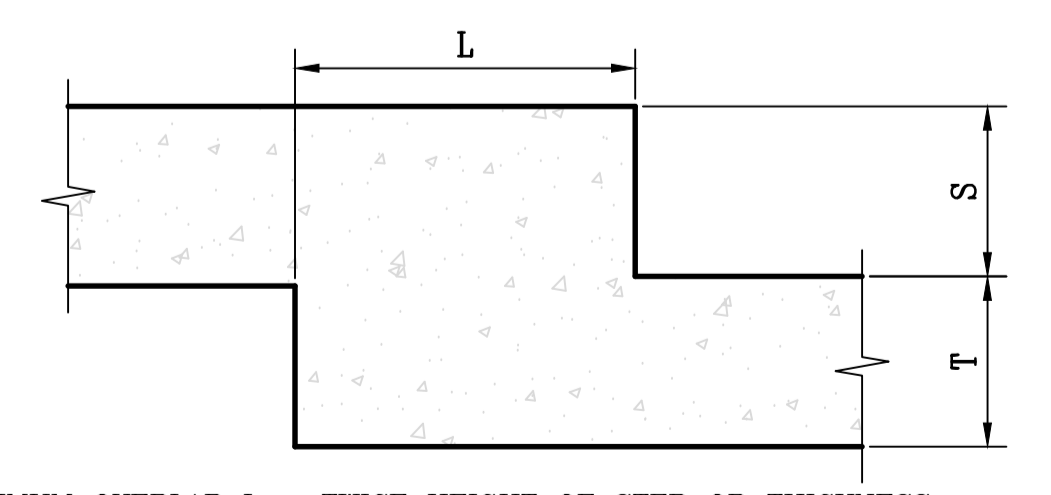


BASEPLATE DETAIL - TYPE 5  
SCALE 1:5

FILLER BOARD WITH A TWO PART POLYSULPHIDE SEALANT 15 x 30mm DEPTH. WALL TIES AT 225mm Crs VERTICALLY EITHER SIDE OF MOVEMENT JOINT.



MOVEMENT JOINT DETAIL FOR TIMBER FRAMED CAVITY WALL  
1:10



MINIMUM OVERLAP L = TWICE HEIGHT OF STEP OR THICKNESS OF FOUNDATION OR 300mm, WHICHEVER IS GREATER S SHOULD NOT BE GREATER THAN T  
STEPPED FOUNDATION DETAIL  
1:10

Rev.	Date	Details	Initials
Revisions			

This drawing is copyright TDA. Contractors must check all dimensions on site. Only figured dimensions are to be worked from. Discrepancies must be reported immediately before proceeding.

TDA  
TOR HILL HOUSE  
TORQUAY, TQ2 5QW TEL: 01803 207948  
enquiries@tda.uk.net www.tda.uk.net



TENDER

Client: TORBAY COUNCIL Date of issue: 23 FEB 2024

Project: PAIGNTON ACADEMY NEW SEND BUILDING Scale: 1:5 1:10 1:20 Site: A1

Drawing: FOUNDATION SECTIONS 2 of 2 Drawn: AJW

Drawing No: 3926.ENG.03 Rev: T1

This drawing is the copyright of TDA and must not be used or reproduced without permission. Registered in England & Wales Registration No. 7004855. Registered Office: Tor Hill House, Union Street, Torquay TQ2 5QW.