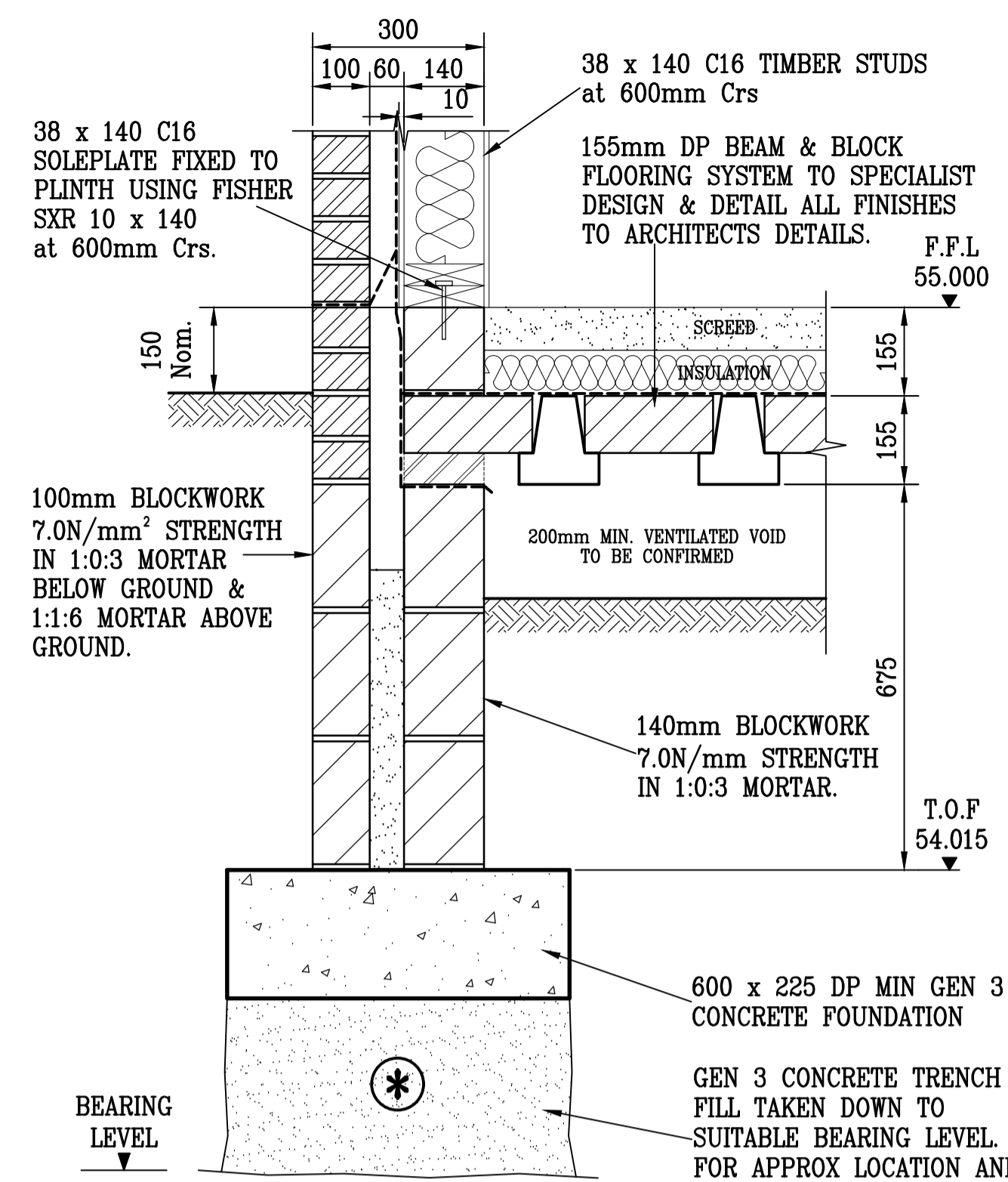
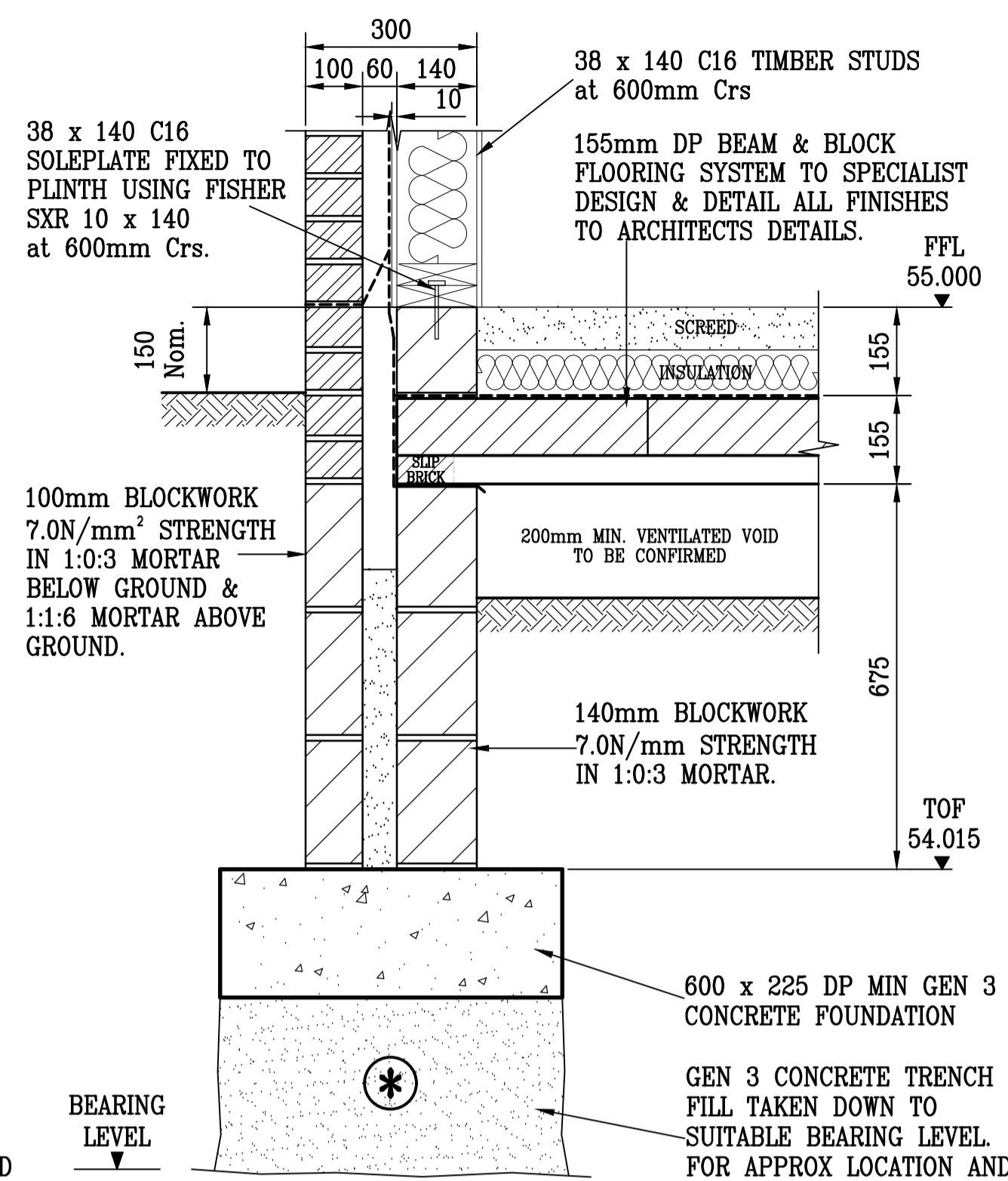


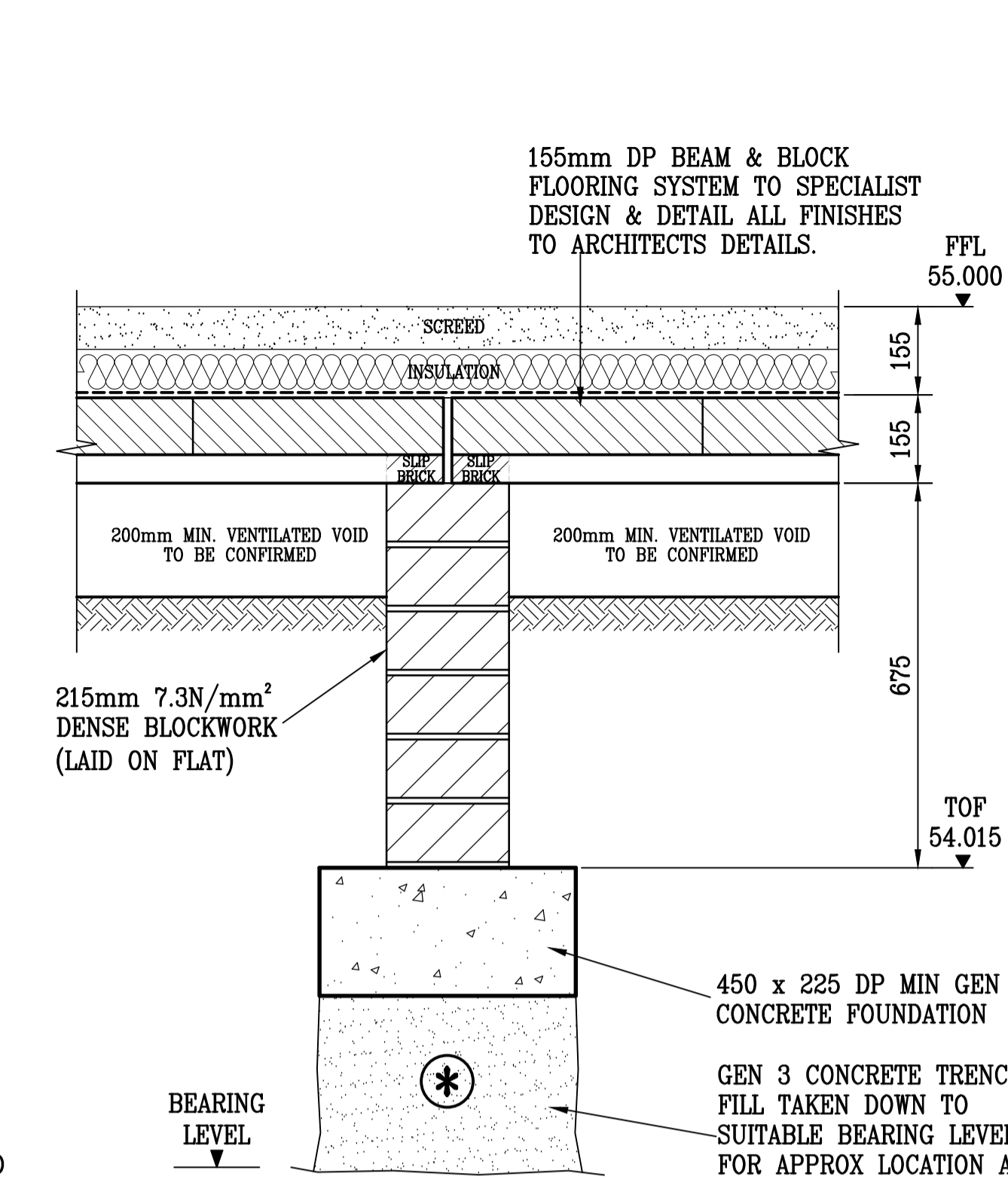
Notes:
1. THIS DRAWING TO BE READ IN CONJUNCTION WITH ALL RELEVANT ARCHITECTS AND ENGINEERS DRAWINGS.
2. ALL DIMENSIONS AND LEVELS TO BE CHECKED BY CONTRACTOR PRIOR TO COMMENCEMENT OF WORKS.
3. ALL CONCRETE WORKS TO COMPLY WITH BS EN 1992: EUROCODE 2: DESIGN OF CONCRETE STRUCTURES.



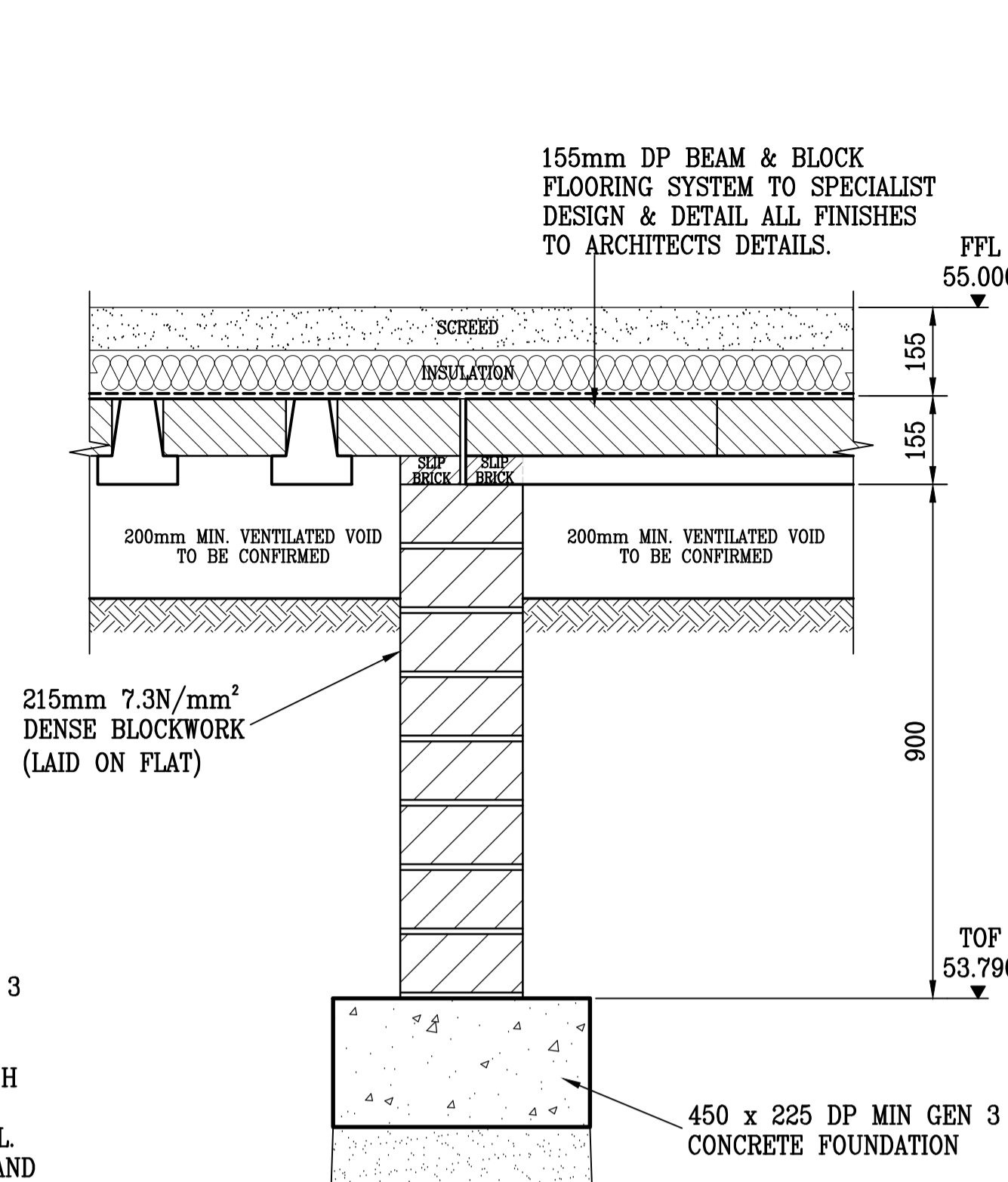
SECTION A 01
SCALE 1:10



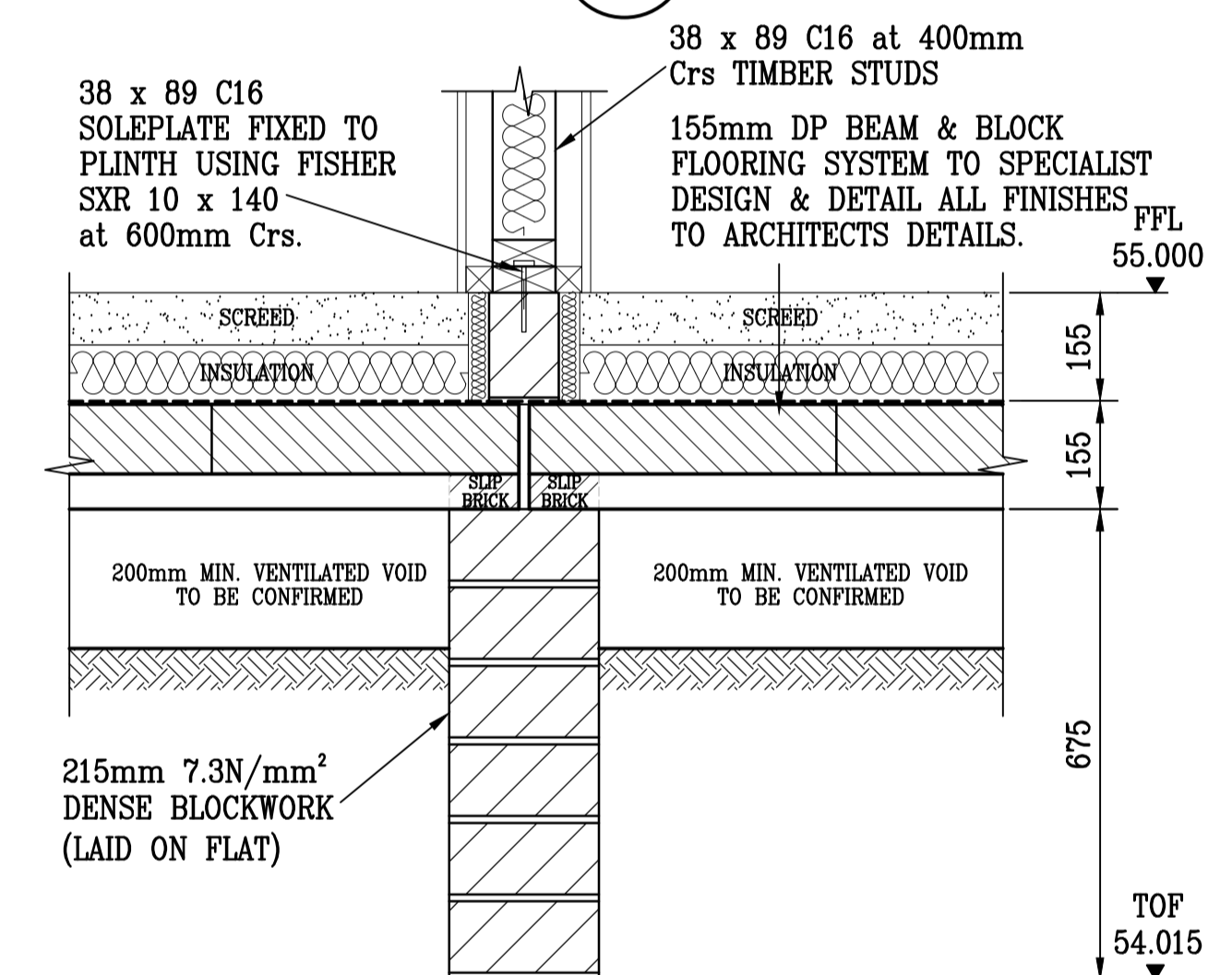
SECTION B 01
SCALE 1:10



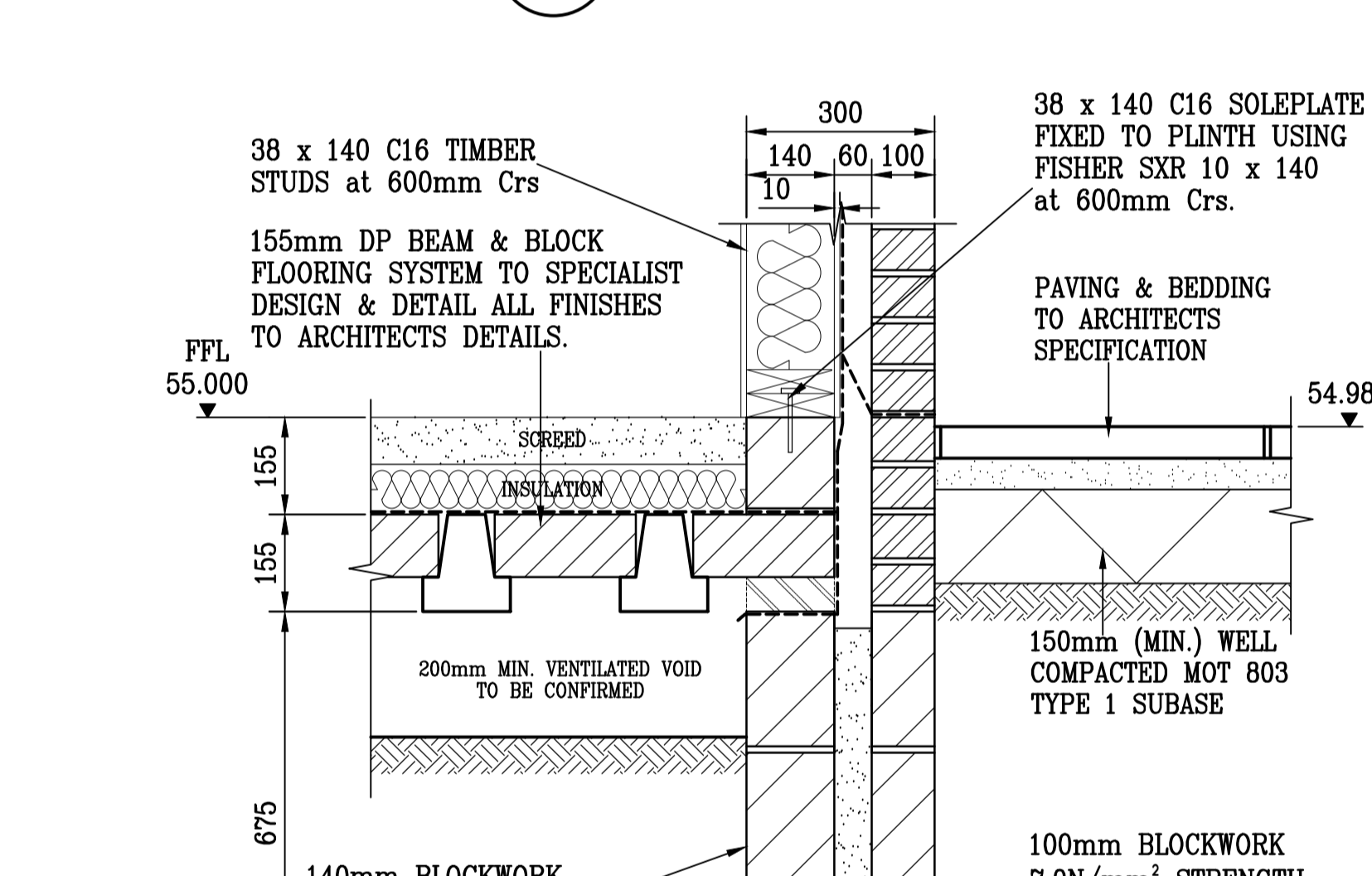
SECTION C 01
SCALE 1:10



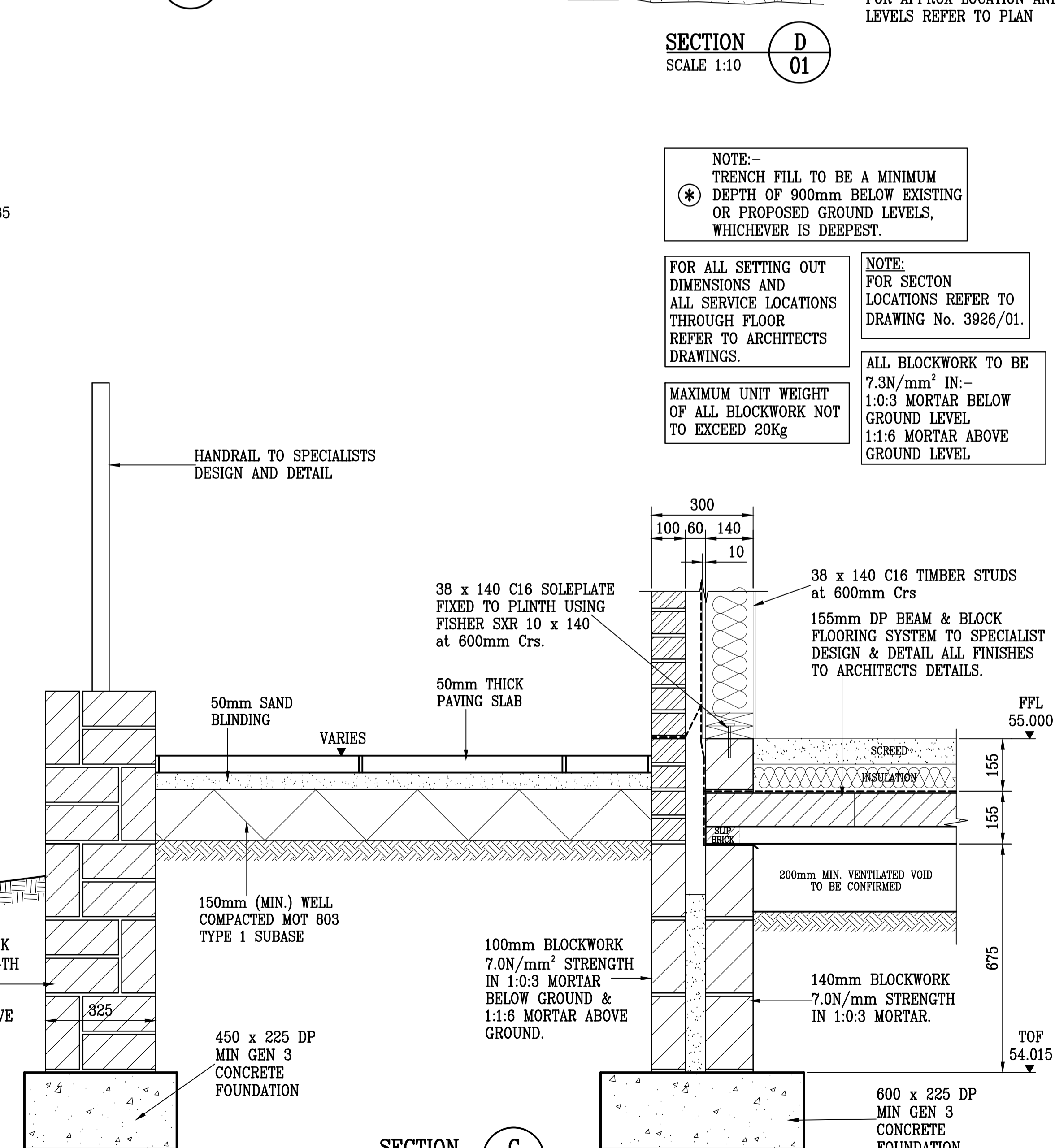
SECTION D 01
SCALE 1:10



SECTION E 01
SCALE 1:10



SECTION F 01
SCALE 1:10



SECTION G 01
SCALE 1:10

NOTE:-
(*) TRENCH FILL TO BE A MINIMUM DEPTH OF 900mm BELOW EXISTING OR PROPOSED GROUND LEVELS, WHICHEVER IS DEEPEST.

FOR ALL SETTING OUT DIMENSIONS AND ALL SERVICE LOCATIONS THROUGH FLOOR REFER TO ARCHITECTS DRAWINGS.

NOTE:
FOR SECTION LOCATIONS REFER TO DRAWING No. 3926/01.
ALL BLOCKWORK TO BE 7.3N/mm² IN:-
1:0:3 MORTAR BELOW GROUND LEVEL
1:1:6 MORTAR ABOVE GROUND LEVEL

MAXIMUM UNIT WEIGHT OF ALL BLOCKWORK NOT TO EXCEED 20kg

Rev.	Date	Details	Initials
Revisions			

This drawing is copyright
Contractors must check all dimensions on site. Only figured dimensions are to be worked from. Discrepancies must be reported immediately before proceeding

TDA
TOR HILL HOUSE
TORQUAY, TQ2 5QW TEL: 01803 207948
enquiries@tda.uk.net www.tda.uk.net



TENDER

Client	TORBAY COUNCIL	Date of issue	23 FEB 2024
Project	PAIGNTON ACADEMY NEW SEND BUILDING	Scale	1:10
Sheet	FOUNDATION SECTIONS 1 of 2	Scale	A1
Author	AJW	Check	T1
Drawing No.	3926.ENG.02	Rev.	